



RISER FOR MOTORIZED STUFFERS

This riser elevates BigBite® Motorized Stuffers for use with the BigBite Ground Meat Patty, Jerky, Snack Stick Maker (SKU 517) and BigBite Auto Patty Maker (SKU 687).

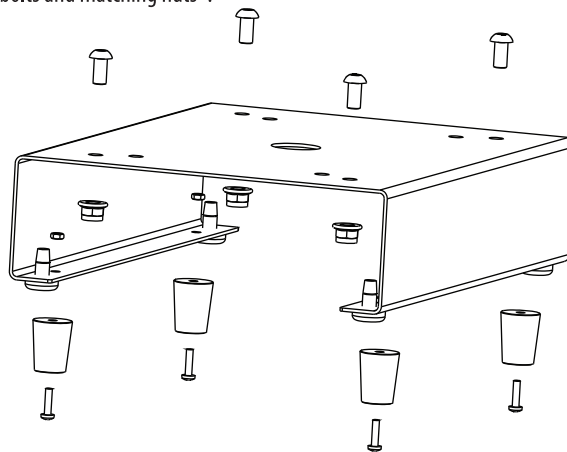
Note: To use these attachments with your BigBite Motorized Stuffer, you will need the Motorized Stuffer Adapter (SKU 12095008).

Tools needed for assembly: allen wrench (included) (for bolt heads) and adjustable wrench (to tighten or hold nuts).

To attach the Riser to the 10 lb. Motorized Stuffer (SKU 1569)

1. Place the stuffer on top of the riser, lining up the holes in the base of the stuffer with the outer holes in the riser.
2. Insert the shorter bolts* through holes in both the stuffer and Riser.
3. Screw on the nuts* from underneath the Riser and tighten, as shown below.
4. Install the taller feet using the longer bolts and matching nuts*.

*Nuts and bolts included.



To attach the Riser to the 20 and 30 lb. Motorized Stuffers (SKUs 1217 and 1219)

You will remove the current base of the stuffer and replace it with the riser, using the bolts and nuts from the current base.

1. Lower the stuffer's piston into the cylinder completely; this will help to keep the center rod straight.
2. Remove the 4 bolts and nuts that attach the stuffer to its base (the bolt heads require a 5.5 mm allen wrench). Keep them handy; you will use them to attach the Riser.
3. Carefully lift the stuffer off the current base, keeping it upright.
4. Set the stuffer on top of the Riser and line up the holes in the stuffer's frame with the inner holes on the Riser, as shown below.
5. Insert the bolts through the stuffer's frame and Riser.
6. Screw on the nuts from underneath the Riser and tighten them.

